

### BOOKS AND NOTEBOOK LIST FOR CLASS - 1

SL. NO	SUBJECT	BOOK NAME	NO OF NOTEBOOK	SPECIFICATION	PAGE
1	ENGLISH	MRIDANG - 1	1	4 LINES RULED NOTEBOOK	180
2	HINDI	शारंगी ?	1	2 LINES RULED NOTEBOOK	180
3	MATHEMATICS	JOYFUL MATHEMATICS 1	1	SQUARE RULED NOTEBOOK	180
4	ENVIRONMENTAL STUDIES		1	4 LINES NOTEBOOK AND ONE SIDE PLANE (ONE SIDE RULED)	180
5	MUSIC		1	2 LINES RULED NOTEBOOK	120
7	DRAWING		1	DRAWING NOTEBOOK	50

**N.B: All the notebooks should be of soft binding and crown size. Cover of the notebooks should be brown Colour.**

#### House Dress



#### Winter Uniform



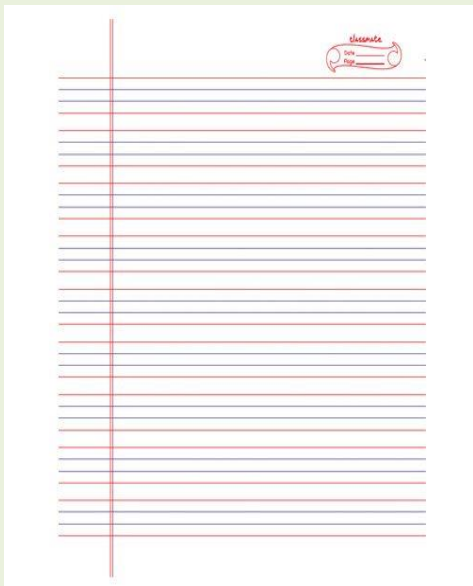
#### House Dress



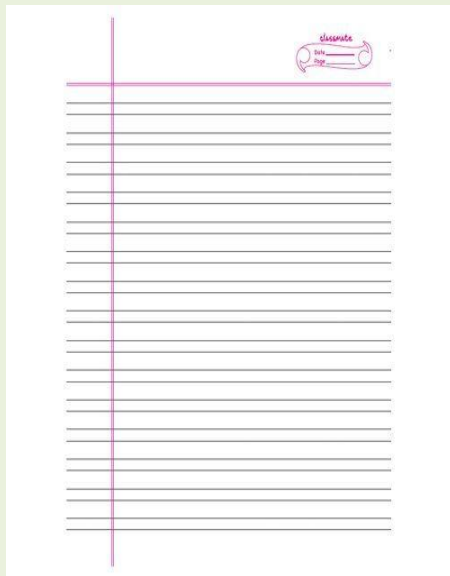
#### Lower for all houses (Navy Blue)



HOUSE	T- SHIRTS COLOUR
SUBHASH	RED
TAGORE	BLUE
ASHOKA	GREEN
RAMAN	YELLOW



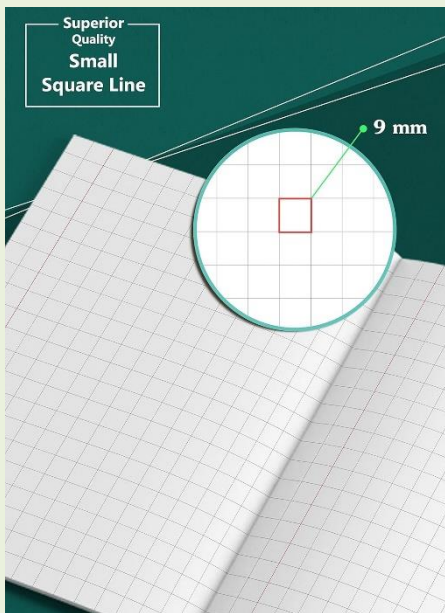
Four Lines Notebook



Double Line Notebook



Single Line Notebook



Square box Notebook



Single line and one side plane Notebook

### BOOKS AND NOTEBOOK LIST FOR **CLASS - 2**

SL. NO	SUBJECT	BOOK NAME	NO OF NOTEBOOK	SPECIFICATION	PAGE
1	ENGLISH	MRIDANG - 2	1	SINGLE LINE RULED NOTEBOOK	180
2	HINDI	शारंगी २	1	SINGLE LINE RULED NOTEBOOK	180
3	MATHEMATICS	JOYFUL MATHEMATICS 2	1	SQUARE RULED NOTEBOOK	180
4	ENVIRONMENTAL STUDIES		1	SINGLE LINE RULED NOTEBOOK AND ONE SIDE PLANE (ONE SIDE RULED)	180
5	MUSIC		1	SINGLE LINES RULED NOTEBOOK	120
7	DRAWING		1	DRAWING NOTEBOOK	50

**N.B: All the notebooks should be of soft binding and crown size. Cover of the notebooks should be brown Colour.**

#### House Dress



#### Winter Uniform



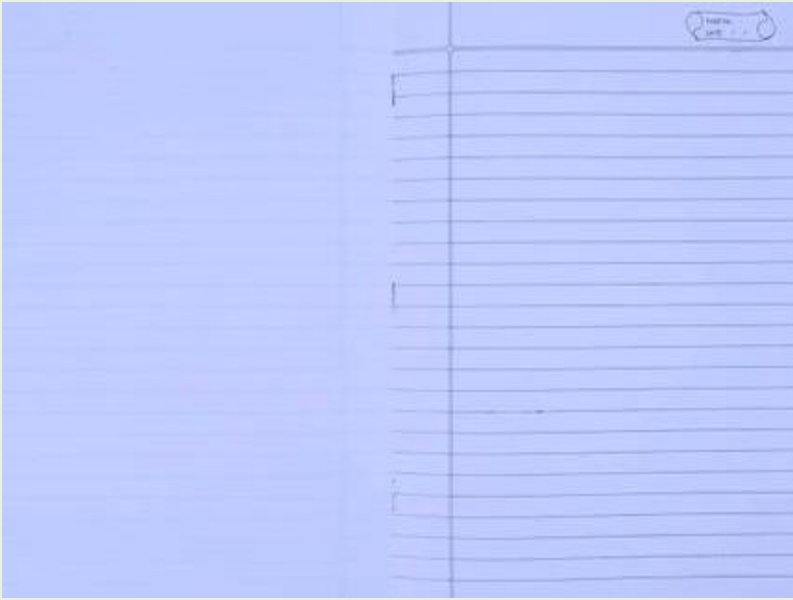
#### House Dress



#### Lower for all houses (Navy Blue)



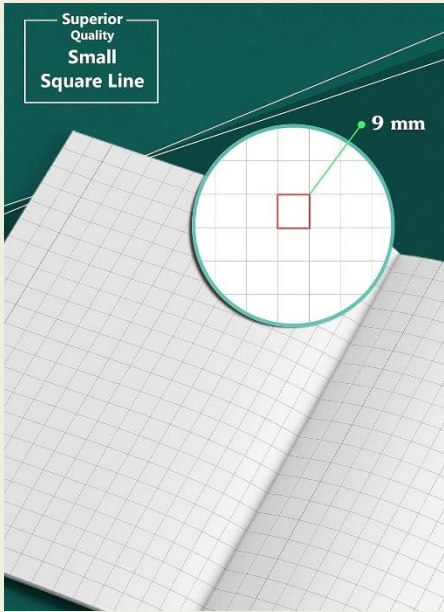
HOUSE	T- SHIRTS COLOUR
SUBHASH	RED
TAGORE	BLUE
ASHOKA	GREEN
RAMAN	YELLOW



Single line and one side plane Notebook



Single Line Notebook



Square box Notebook

### BOOKS AND NOTEBOOK LIST FOR CLASS -3

SL. NO	SUBJECT	BOOK NAME	NO OF NOTEBOOK	SPECIFICATION	PAGE
1	ENGLISH	NCERT has informed vide its letter dated 18.03.2024 that new text books for classes III and VI are being developed and soon it will be ready Hence, it is decided to follow only new text books for classes III and VI in KVs. <b>So parent are advice to to buy new text books only whenever it is available in the market.</b>	1	SINGLE LINE RULED NOTEBOOK	180
2	HINDI		1	SINGLE LINE RULED NOTEBOOK	180
3	MATHEMATICS		1	SINGLE LINE RULED NOTEBOOK	180
4	ENVIRONMENTAL STUDIES		1	SINGLE LINE RULED NOTEBOOK AND ONE SIDE PLANE (ONE SIDE RULED)	180
5	MUSIC		1	SINGLE LINES RULED NOTEBOOK	120
6	COMPUTER		1	SINGLE LINES RULED NOTEBOOK	120
7	DRAWING		1	DRAWING NOTEBOOK	50

**N.B: All the notebooks should be of soft binding and crown size. Cover of the notebooks should be brown Colour.**

House Dress



Winter Uniform



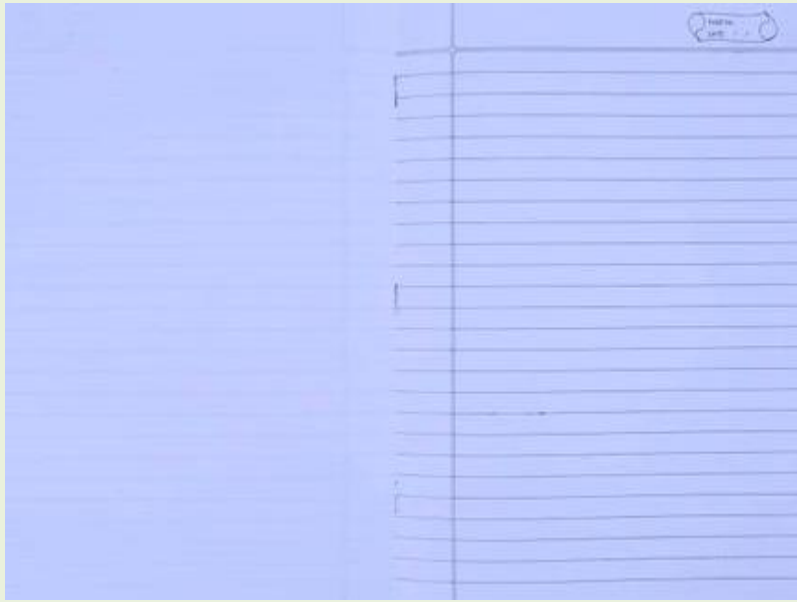
House Dress



Lower for all houses  
(Navy Blue)



HOUSE	T- SHIRTS COLOUR
SUBHASH	RED
TAGORE	BLUE
ASHOKA	GREEN
RAMAN	YELLOW



Single line and one side plane Notebook



Single Line Notebook

### BOOKS AND NOTEBOOK LIST FOR CLASS -4

SL. NO	SUBJECT	BOOK NAME	NO OF NOTEBOOK	SPECIFICATION	PAGE
1	ENGLISH	MARIGOLD 4	1	SINGLE LINE RULED NOTEBOOK	180
2	HINDI	रिमझिम ४	1	SINGLE LINE RULED NOTEBOOK	180
3	MATHEMATICS	MATH MAGIC 4	1	SINGLE LINE RULED NOTEBOOK	180
4	ENVIRONMENTAL STUDIES	LOOKING AROUND 4	1	SINGLE LINE RULED NOTEBOOK AND ONE SIDE PLANE (ONE SIDE RULED)	180
5	MUSIC		1	SINGLE LINE RULED NOTEBOOK	120
6	COMPUTER		1	SINGLE LINE RULED NOTEBOOK	120
7	DRAWING		1	DRAWING NOTEBOOK	50

**N.B: All the notebooks should be of soft binding and crown size. Cover of the notebooks should be brown Colour.**

#### House Dress



#### Winter Uniform



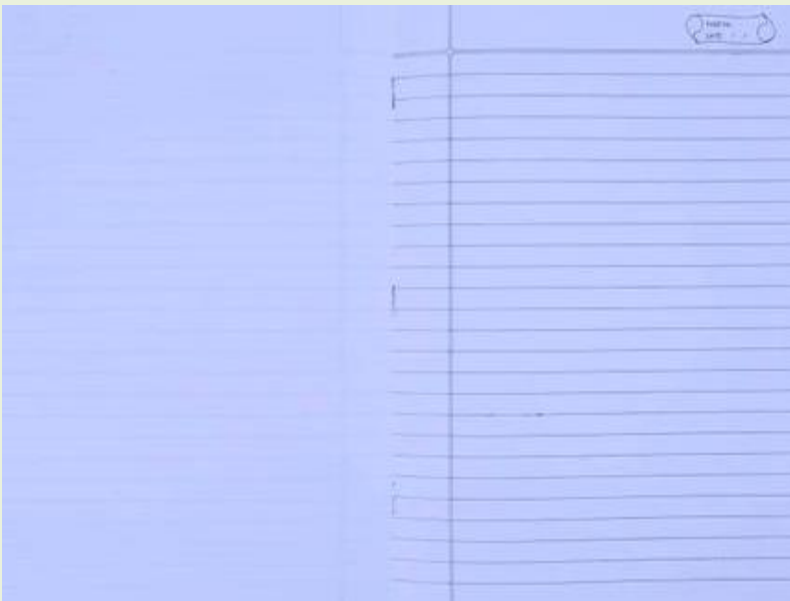
#### House Dress



#### Lower for all houses (Navy Blue)



HOUSE	T- SHIRTS COLOUR
SUBHASH	RED
TAGORE	BLUE
ASHOKA	GREEN
RAMAN	YELLOW



Single line and one side plane Notebook



Single Line Notebook



### BOOKS AND NOTEBOOK LIST FOR CLASS -5

SL. NO	SUBJECT	BOOK NAME	NO OF NOTEBOOK	SPECIFICATION	PAGE
1	ENGLISH	MARIGOLD 5	1	SINGLE LINE RULED NOTEBOOK	180
2	HINDI	रिमझिम ५	1	SINGLE LINE RULED NOTEBOOK	180
3	MATHEMATICS	MATH MAGIC 5	1	SINGLE LINE RULED NOTEBOOK	180
4	ENVIRONMENTAL STUDIES	LOOKING AROUND 5	1	SINGLE LINE RULED NOTEBOOK AND ONE SIDE PLANE (ONE SIDE RULED)	180
5	MUSIC		1	SINGLE LINE RULED NOTEBOOK	120
6	COMPUTER		1	SINGLE LINE RULED NOTEBOOK	120
7	DRAWING		1	DRAWING NOTEBOOK	50

**N.B: All the notebooks should be of soft binding and crown size. Cover of the notebooks should be brown Colour.**

#### House Dress



#### Winter Uniform



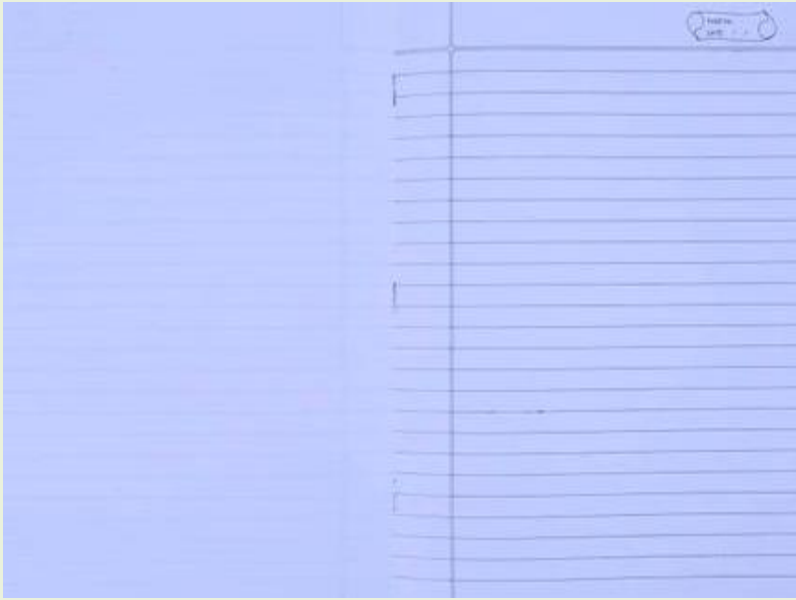
#### House Dress



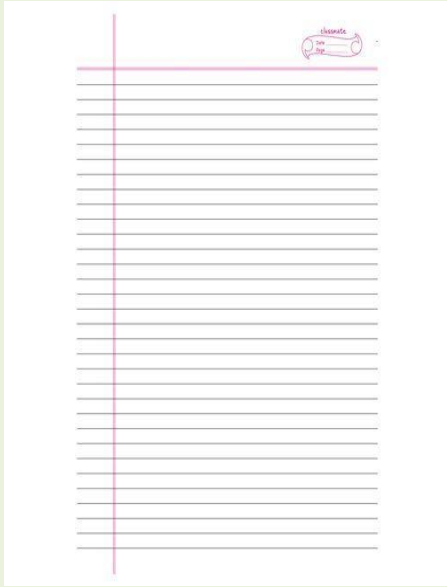
#### Lower for all houses (Navy Blue)



HOUSE	T- SHIRTS COLOUR
SUBHASH	RED
TAGORE	BLUE
ASHOKA	GREEN
RAMAN	YELLOW



Single line and one side plane Notebook



Single Line Notebook

### BOOKS AND NOTEBOOK LIST FOR CLASS -6

SL. NO	SUBJECT	BOOK NAME	NO OF NOTEBOOK	SPECIFICATION	PAGE
1	ENGLISH	NCERT has informed vide its letter dated 18.03.2024 that new text books for classes III and VI are being developed and soon it will be ready Hence, it is decided to follow only new text books for classes III and VI in KV's. <b>So parent are advice to to buy new text books only whenever it is available in the market.</b>	1	SINGLE LINE A4 SIGE NOTEBOOK	160
2	HINDI		1	SINGLE LINE NOTEBOOK,24*18 CM	200
3	MATHEMATICS		1	SINGLE LINE NOTEBOOK A4 SIZE	400
4	SANSKRIT		1	SINGLE LINE NOTEBOOK,24*18 CM	160
5	SCIENCE		1	SINGLE LINE NOTEBOOK,24*18 CM	200
6	SST		1	SINGLE LINE NOTEBOOK,24*18 CM	200
7	COMPUTER		1	SINGLE LINE NOTEBOOK 24*18 CM	160
8	LIBRARY		1	SINGLE LINE INTERLEAF NOTEBOOK  ONE SIDE BLANK/UNRULED & ONE SIDE RULED SOFT BOUND COVER   24*18 CM	172
9	WE		1	SINGLE LINE NOTEBOOK,24*18 CM	160
10	AE		1	SINGLE LINE NOTEBOOK,24*18 CM	160

**N.B: All the notebooks should be of soft binding. Cover of the notebooks should be brown Colour.**

#### House Dress



#### Winter Uniform



#### House Dress



#### Lower for all houses (Navy Blue)



HOUSE	T- SHIRTS COLOUR
SUBHASH	RED
TAGORE	BLUE
ASHOKA	GREEN
RAMAN	YELLOW

### BOOKS AND NOTEBOOK LIST FOR CLASS -7

SL. NO	SUBJECT	BOOK NAME	NO OF NOTEBOOK	SPECIFICATION	PAGE
1	ENGLISH	NCERT TEXTBOOK	1	SINGLE LINE A4 SIZE NOTEBOOK	160
2	HINDI	वसंत भाग-2, बाल महाभारत कथा	1	SINGLE LINE NOTEBOOK, 24*18 CM	200
3	MATHEMATICS	NCERT TEXTBOOK	2	1 BOTH SIDE PLAIN NOTEBOOK A4 SIZE 1 MATHS OBSERVATION COPY (FOR ACTIVITY)	200
4	SANSKRIT	NCERT TEXTBOOK रुचिरा भाग -2	1	SINGLE LINE NOTEBOOK, 24*18 CM	200
5	SCIENCE	NCERT TEXTBOOK	1	SINGLE LINE NOTE BOOK A4 SIZE	160
6	COMPUTER		1	SINGLE LINE NOTEBOOK, 24*18 CM	160
7	LIBRARY		1	SINGLE LINE INTERLEAF NOTEBOOK   ONE SIDE BLANK/UNRULED & ONE SIDE RULED SOFT BOUND COVER   24*18 CM	170
8	AE		1	SINGLE LINE NOTEBOOK, 24*18 CM	160
9	WE		1	SINGLE LINE NOTEBOOK, 24*18 CM	160
10	SST	SOCIAL AND POLITICAL LIFE-II, OUR PASTS-II, OUR ENVIRONMENT	1	SINGLE LINE NOTEBOOK, 24*18 CM	200

**N.B: All the notebooks should be of soft binding. Cover of the notebooks should be brown Colour.**

#### House Dress



#### Winter Uniform



#### House Dress



#### Lower for all houses (Navy Blue)



HOUSE	T- SHIRTS COLOUR
SUBHASH	RED
TAGORE	BLUE
ASHOKA	GREEN
RAMAN	YELLOW

### BOOKS AND NOTEBOOK LIST FOR CLASS -8

SL. NO	SUBJECT	BOOK NAME	NO OF NOTEBOOK	SPECIFICATION	PAGE
1	ENGLISH	NCERT TEXTBOOK	1	SINGLE LINE A4 SIZE NOTEBOOK	160
2	HINDI	वसंत भाग-3, भारत की खोज	1	SINGLE LINE NOTEBOOK, 24*18 CM	200
3	MATHEMATICS	NCERT TEXTBOOK	2	1 BOTH SIDE PLAIN NOTEBOOK A4 SIZE 1 MATHS OBSERVATION COPY (FOR ACTIVITY)	200
4	SANSKRIT	NCERT TEXTBOOK रुचिरा भाग -3	1	SINGLE LINE NOTEBOOK, 24*18 CM	200
5	SCIENCE	NCERT TEXTBOOK	1	SINGLE LINE NOTE BOOK A4 SIZE	160
6	COMPUTER		1	SINGLE LINE NOTEBOOK, 24*18 CM	160
7	LIBRARY		1	SINGLE LINE INTERLEAF NOTEBOOK   ONE SIDE BLANK/UNRULED & ONE SIDE RULED SOFT BOUND COVER   24*18 CM	170
8	AE		1	SINGLE LINE NOTEBOOK, 24*18 CM	160
9	WE		1	SINGLE LINE NOTEBOOK, 24*18 CM	160
10	SST	SOCIAL AND POLITICAL LIFE -III, OUR PASTS-III, RESOURCES AND DEVELOPMENT	1	SINGLE LINE A4 SIZE NOTEBOOK, 24*18 CM	200

**N.B: All the notebooks should be of soft binding. Cover of the notebooks should be brown Colour.**

#### House Dress



#### Winter Uniform



#### House Dress



#### Lower for all houses (Navy Blue)



HOUSE	T- SHIRTS COLOUR
SUBHASH	RED
TAGORE	BLUE
ASHOKA	GREEN
RAMAN	YELLOW

### BOOKS AND NOTEBOOK LIST FOR CLASS -9

SL. NO	SUBJECT	BOOK NAME	NO OF NOTEBOOK	SPECIFICATION	PAGE
1	ENGLISH	NCERT TEXTBOOK	1	SINGLE LINE A4 SIZE NOTEBOOK	160
2	HINDI	क्षितिज-1, कृतिका-1	1	SINGLE LINE A4 SIZE NOTEBOOK	160
3	MATHEMATICS	NCERT TEXT BOOK	2	SINGLE LINE A4 SIZE NOTEBOOK (160PAGES) 2 PIECE,ACTIVITY COPY-1,GRAPH COPY( 20 PAGES)-1	160/20
4	SANSKRIT	NCERT TEXTBOOK मणिका भाग-1	1	SINGLE LINE NOTEBOOK,24*18 CM	200
5	SCIENCE	NCERT TEXTBOOK	1	SINGLE LINE NOTE BOOK A4 SIZE	160
6	AI	ARTIFICIAL INTELLIGENCE (CODE 417) CLASS IX	2	LONG EXERCISE NOTE BOOK 120 PAGE RULED, PRACTICAL NOTE BOOK 60 PAGE	120/60
7	LIBRARY		1	SINGLE LINE INTERLEAF NOTEBOOK  ONE SIDE BLANK/UNRULED & ONE SIDE RULED SOFT BOUND COVER   24*18 CM	170
8	AE		1	SINGLE LINE NOTEBOOK,24*18 CM	160
9	WE		1	SINGLE LINE NOTEBOOK,24*18 CM	160
10	SST	INDIA AND COMTEMPORARY WORLD-I, DEMOCRATIC POLITICS-I, CONTEMPORARY INDIA-I, ECONOMICS	1	SINGLE LINE A4 SIZE NOTEBOOK	160

**N.B: All the notebooks should be of soft binding. Cover of the notebooks should be brown Colour.**

#### Summer uniform



House Dress

#### Winter uniform



Lower for all houses  
(Navy Blue)



HOUSE	T- SHIRTS COLOUR
SUBHASH	RED
TAGORE	BLUE
ASHOKA	GREEN
RAMAN	YELLOW

### BOOKS AND NOTEBOOK LIST FOR CLASS -10

SL. NO	SUBJECT	BOOK NAME	NO OF NOTEBOOK	SPECIFICATION	PAGE
1	ENGLISH	ENGLISH COMMUNICATIVE (101)	2	SINGLE LINE A4 SIGE NOTEBOOK	160
2	HINDI	क्षितिज-2, कृतिका-2 HINDI COURSE-A (002)	1	SINGLE LINE A4 SIZE NOTEBOOK	160
3	MATHEMATICS	MATHEMATICS STD (041)	2	BOTH SIDE WHITE PLAIN COPY(A4 SIZE) , 1 ACTIVITY COPY	400
4	SANSKRIT	मणिका भाग -2 SANSKRIT COMMUNICATIVE(119)	1	SINGLE LINE NOTEBOOK,24*18 CM	200
5	SCIENCE	SCIENCE (086)	1	SINGLE LINE NOTE BOOK A4 SIZE	160
6	AI	ARTIFICIAL INTELLIGENCE (CODE 417) CLASS X	2	LONG EXERCISE NOTE BOOK 120 PAGE RULED, PRACTICAL NOTE BOOK 60 PAGE	120/60
7	LIBRARY		1	SINGLE LINE INTERLEAF NOTEBOOK  ONE SIDE BLANK/UNRULED & ONE SIDE RULED SOFT BOUND COVER   24*18 CM	170
8	AE		1		
9	WE		1		
10	SST	SOCIAL SCIENCE (087)	1	SINGLE LINE A4 SIZE NOTEBOOK	160

**N.B: All the notebooks should be of soft binding. Cover of the notebooks should be brown Colour.**

#### Summer uniform

#### Winter uniform



House Dress

Lower for all houses  
(Navy Blue)



HOUSE	T- SHIRTS COLOUR
SUBHASH	RED
TAGORE	BLUE
ASHOKA	GREEN
RAMAN	YELLOW

### BOOKS AND NOTEBOOK LIST FOR CLASS -11 SCIENCE

SL. NO	SUBJECT	BOOK NAME	NO OF NOTEBOOK	SPECIFICATION	PAGE
1	ENGLISH	ENGLISH CORE (301) FOR CLASS XI	1	RULED LONG SIZE	180
2	HINDI	आरोह भाग-1 वितान भाग-1 HINDI CORE (302) FOR CLASS XI	1	RULED LONG SIZE	180
3	BIOLOGY	BIOLOGY (044) FOR CLASS XI	2	2 LONG NOTEBOOKS , 300 PAGES, ONE FOR HOMEWORK, ONE FOR CLASSWORK. FOR PRACTICAL - ONE OBSERVATION NOTEBOOK 60 PAGES, ONE PRACTICAL NOTEBOOK WITH LOOSE SHEETS & HARD COVER	300/60
4	MATHEMATICS	MATHEMATICS (041) FOR CLASS XI	2	2 LONG NOTEBOOKS (300 PAGES),ONE PRACTICAL NOTEBOOK	300
5	PHYSICS	PHYSICS (042) FOR CLASS XI	3	2 LONG NOTEBOOKS , 300 PAGES, ONE FOR HOMEWORK, ONE FOR CLASSWORK. FOR PRACTICAL - ONE OBSERVATION NOTEBOOK, ONE PRACTICAL NOTEBOOK 200 PAGES HARD COVER, ONE ACTIVITY NOTEBOOK 100 PAGES HARD COVER	300/200/100
6	CHEMISTRY	CHEMISTRY (043) FOR CLASS XI	2	TWO LONG NOTEBOOK 300 PAGE, FOR PRACTICAL NOTE BOOK HARD COVER ONE OBSERVATION NOTE BOOK...	300
7	COMPUTER SCIENCE	CS (083) FOR CLASS XI	1	RULED LONG SIZE	180
8	PHYSICAL EDUCATION	HEALTH AND PHYSICAL EDUCATION (048) FOR CLASS XI	1	160 PAGE SINGLE LINE NOTE BOOK REGULAR SIZE	160
9	LIBRARY		1	SINGLE LINE INTERLEAF NOTEBOOK  ONE SIDE BLANK/UNRULED & ONE SIDE RULED   172 PAGES   SOFT BOUND COVER   24*18 . IPICE	172

**N.B: All the notebooks should be of soft binding. Cover of the notebooks should be brown Colour.**

#### Summer uniform



House Dress

#### Winter uniform



Lower for all houses  
(Navy Blue)



HOUSE	T- SHIRTS COLOUR
SUBHASH	RED
TAGORE	BLUE
ASHOKA	GREEN
RAMAN	YELLOW



### BOOKS AND NOTEBOOK LIST FOR CLASS -11 COMMERCE

SL. NO	SUBJECT	BOOK NAME	NO OF NOTEBOOK	SPECIFICATION	PAGE
1	ENGLISH	ENGLISH CORE (301) FOR CLASS XI	1	RULED LONG SIZE	180
2	HINDI	आरोह भाग-1 वितान भाग-1 HINDI CORE (302) FOR CLASS XI	1	RULED LONG SIZE	180
3	ACCOUNTANCY	ACCOUNTANCY (055) FOR CLASS XI	2	1 LONG EXERCISE NOTE BOOK 180 PAGE RULED, 1 FOR HOME WORK 120 PAGE RULED	180/120
4	BUSINESS STUDIES	BUSINESS STUDIES (054) FOR CLASS XI	2	1 LONG EXERCISE NOTE BOOK 180 PAGE RULED, 1 FOR HOME WORK 120 PAGE RULED	180/120
5	ECONOMICS	ECONOMICS (030) FOR CLASS XI	1	RULED LONG SIZE	180
6	PHYSICAL EDUCATION	HEALTH AND PHYSICAL EDUCATION (048) FOR CLASS XI	1	160 PAGE SINGLE LINE NOTE BOOK REGULAR SIZE	160
7	IP	IP (065) FOR CLASS XI	1	RULED LONG SIZE	180
8	LIBRARY		1	SINGLE LINE INTERLEAF NOTEBOOK   ONE SIDE BLANK/UNRULED & ONE SIDE RULED   172 PAGES   SOFT BOUND COVER   24*18 , 1PIECE	172

**N.B: All the notebooks should be of soft binding. Cover of the notebooks should be brown Colour.**

#### Summer uniform



#### Winter uniform



#### House Dress



#### Lower for all houses (Navy Blue)



HOUSE	T- SHIRTS COLOUR
SUBHASH	RED
TAGORE	BLUE
ASHOKA	GREEN
RAMAN	YELLOW

### BOOKS AND NOTEBOOK LIST FOR CLASS -12 SCIENCE

SL. NO	SUBJECT	BOOK NAME	NO OF NOTEBOOK	SPECIFICATION	PAGE
1	ENGLISH	ENGLISH CORE (301) FOR CLASS XII	1	RULED(SHORT STANDARD SIZE)	180
2	HINDI	आरोह भाग-2 वितान भाग-2 HINDI CORE (302) FOR CLASS XII	1	RULED LONG SIZE	180
3	BIOLOGY	BIOLOGY (044) FOR CLASS XII	2	2 LONG NOTEBOOKS , 300 PAGES, ONE FOR HOMEWORK, ONE FOR CLASSWORK. FOR PRACTICAL - ONE OBSERVATION NOTEBOOK 60 PAGES, ONE PRACTICAL NOTEBOOK WITH LOOSE SHEETS & HARD COVER	300/60
4	MATHEMATICS	MATHEMATICS (041) FOR CLASS XII	2	2 LONG NOTEBOOKS (300 PAGES),ONE PRACTICAL NOTEBOOK	300
5	PHYSICS	PHYSICS (042) FOR CLASS XII	3	2 LONG NOTEBOOKS , 300 PAGES, ONE FOR HOMEWORK, ONE FOR CLASSWORK. FOR PRACTICAL - ONE OBSERVATION NOTEBOOK, ONE PRACTICAL NOTEBOOK 200 PAGES HARD COVER, ONE ACTIVITY NOTEBOOK 100 PAGES HARD COVER	300/200/100
6	CHEMISTRY	CHEMISTRY (043) FOR CLASS XII	2	TWO LONG NOTEBOOK 300 PAGE, FOR PRACTICAL NOTE BOOK HARD COVER ONE OBSERVATION NOTE BOOK...	300
7	COMPUTER SCIENCE	CS (083) FOR CLASS XII	1	RULED LONG SIZE	180
8	PHYSICAL EDUCATION	HEALTH AND PHYSICAL EDUCATION (048) FOR CLASS XII	1	160 PAGE SINGLE LINE NOTE BOOK REGULAR SIZE	160
9	LIBRARY		1	SINGLE LINE INTERLEAF NOTEBOOK  ONE SIDE BLANK/UNRULED & ONE SIDE RULED   172 PAGES   SOFT BOUND COVER   24*18 , 1PIECE	172

**N.B: All the notebooks should be of soft binding. Cover of the notebooks should be brown Colour.**

#### Summer uniform



House Dress

#### Winter uniform



Lower for all houses  
(Navy Blue)



HOUSE	T- SHIRTS COLOUR
SUBHASH	RED
TAGORE	BLUE
ASHOKA	GREEN
RAMAN	YELLOW

### BOOKS AND NOTEBOOK LIST FOR CLASS -12 COMMERCE

SL. NO	SUBJECT	BOOK NAME	NO OF NOTEBOOK	SPECIFICATION	PAGE
1	ENGLISH	ENGLISH CORE (301 FOR CLASS XII)	1	RULED LONG SIZE	180
2	HINDI	आरोह भाग-2 वितान भाग-2 HINDI CORE (302) FOR CLASS XII	1	RULED LONG SIZE	180
3	ACCOUNTANCY	ACCOUNTANCY (055) FOR CLASS XII	2	1 LONG EXERCISE NOTE BOOK 180 PAGE RULED, 1 FOR HOME WORK 120 PAGE RULED	180/120
4	BUSINESS STUDIES	BUSINESS STUDIES (054) FOR CLASS XII	2	1 LONG EXERCISE NOTE BOOK 180 PAGE RULED, 1 FOR HOME WORK 120 PAGE RULED	180/120
5	ECONOMICS	ECONOMICS (030) FOR CLASS XII	1	RULED LONG SIZE	180
6	PHYSICAL EDUCATION	HEALTH AND PHYSICAL EDUCATION (048) FOR CLASS XII	1	160 PAGE SINGLE LINE NOTE BOOK REGULAR SIZE	160
7	IP	IP (065) FOR CLASS XII	1	RULED LONG SIZE	180
8	LIBRARY		1	SINGLE LINE INTERLEAF NOTEBOOK  ONE SIDE BLANK/UNRULED & ONE SIDE RULED   172 PAGES   SOFT BOUND COVER   24*18 , 1PIECE	172

**N.B: All the notebooks should be of soft binding. Cover of the notebooks should be brown Colour.**

#### Summer uniform



#### Winter uniform



#### House Dress



#### Lower for all houses (Navy Blue)



HOUSE	T- SHIRTS COLOUR
SUBHASH	RED
TAGORE	BLUE
ASHOKA	GREEN
RAMAN	YELLOW